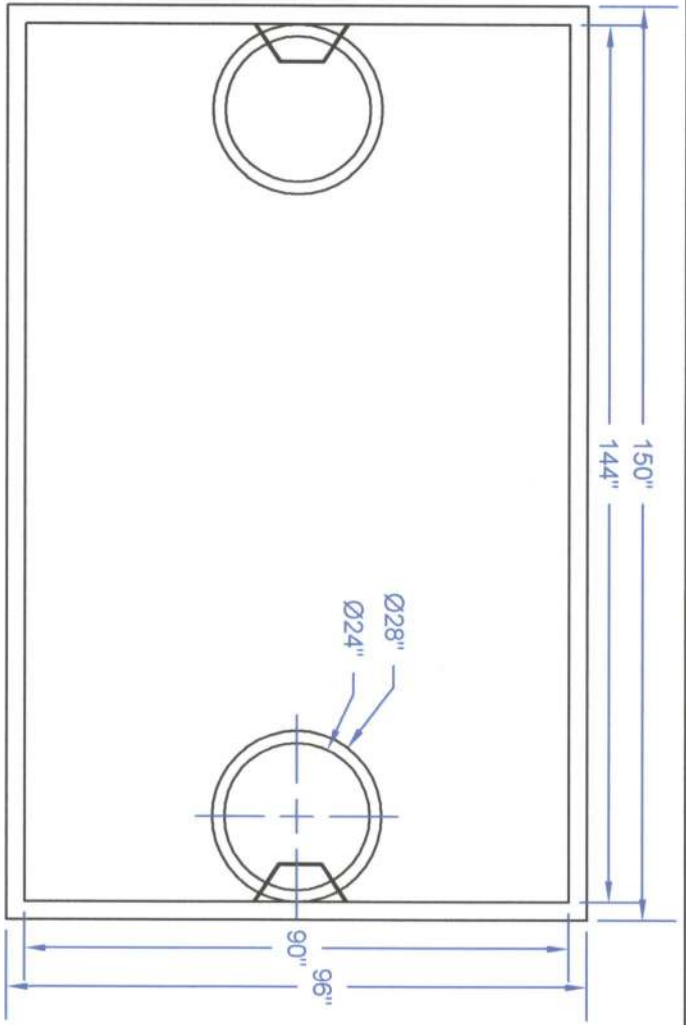
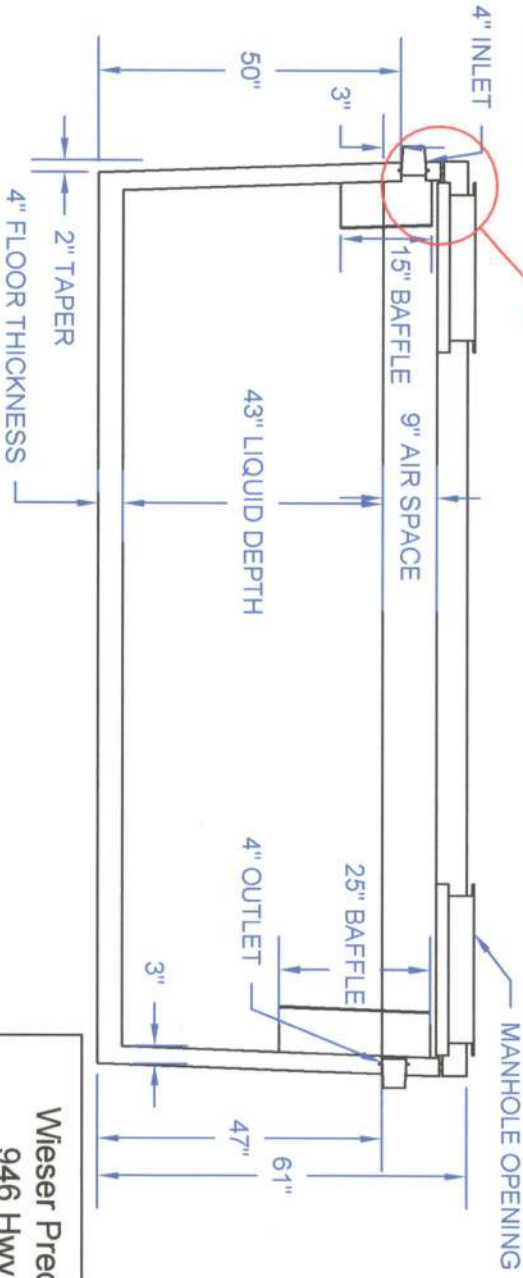


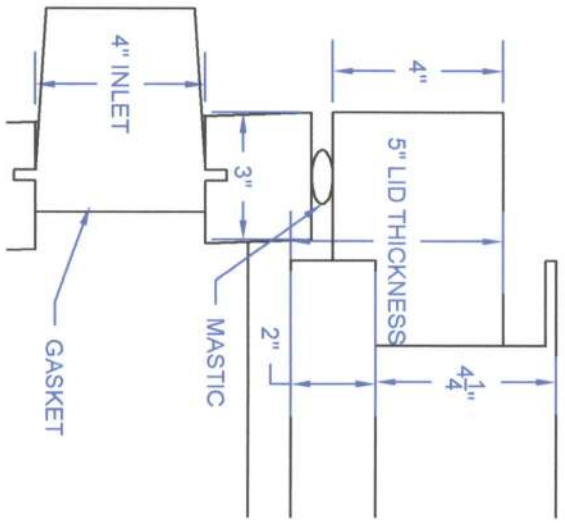
TOP VIEW



SIDE VIEW



DETAIL A



2311 GALLONS
52.33 GALLONS PER INCH

Wieser Precast Steps
946 Hwy. 63 SE
Stewartville, MN 55976
507-533-9304
1-800-373-3215
FAX: 507-553-6571
greg@wieserprecaststeps.com

Drawing:	2250 GALLON SINGLE COMPARTMENT SEPTIC TANK
Drawing Number:	2250S, 2250P, 2250H
Drawing By:	GINA WIESER
Date:	12/19/2013