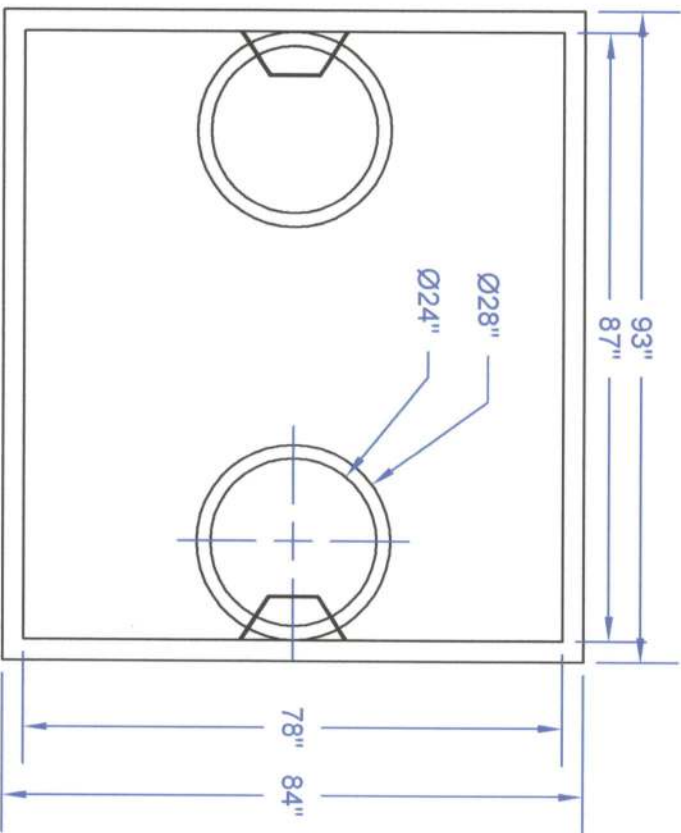
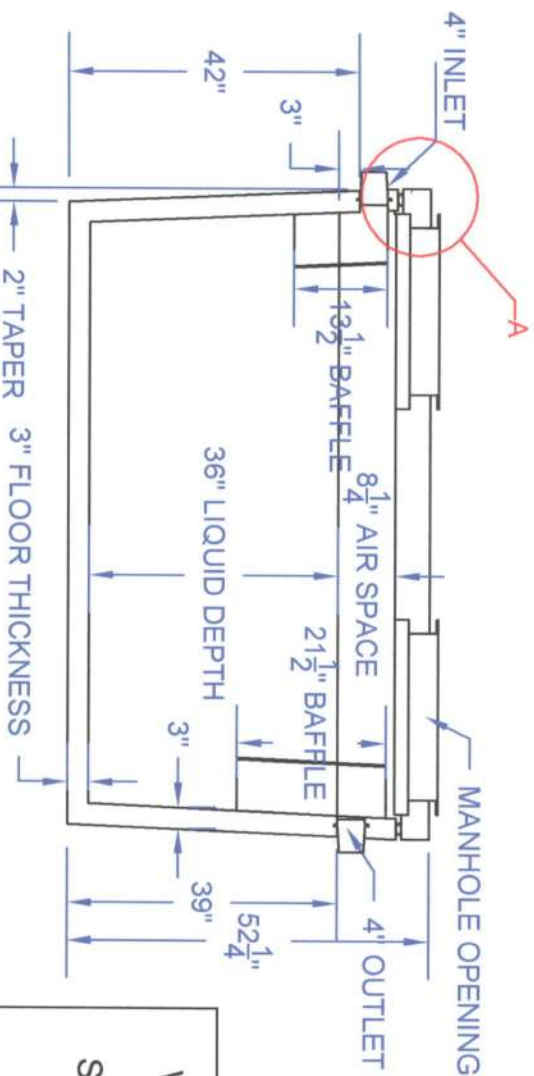


TOP VIEW



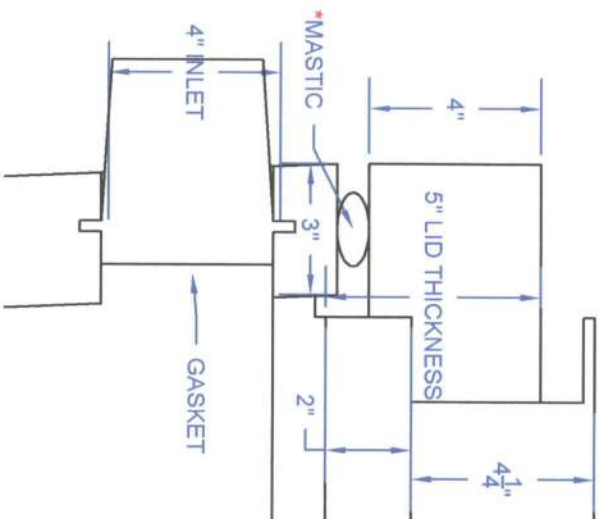
SIDE VIEW



1004 GALLONS  
27.78 GALLONS PER INCH

2" TAPER 3" FLOOR THICKNESS

DETAIL A



**\*Will pick up 1/4" by the addition of mastic.**

Wieser Precast Steps  
 946 Hwy. 63 SE  
 Stewartville, MN 55976

507-533-9304  
 1-800-373-3215  
 FAX: 507-553-6571

greg@wieserprecaststeps.com

Drawing: 1000 GALLON SINGLE  
 COMPARTMENT SEPTIC TANK

Drawing Number:  
 1000 S

Drawing By:  
 GINA WIESER

Date:  
 12/16/2013